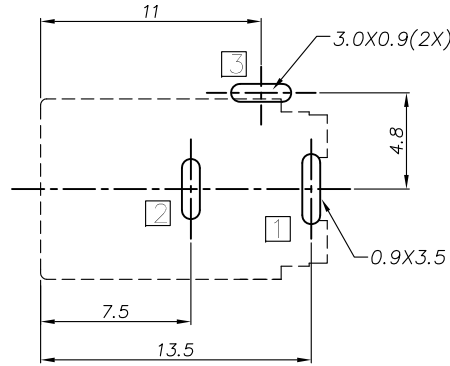
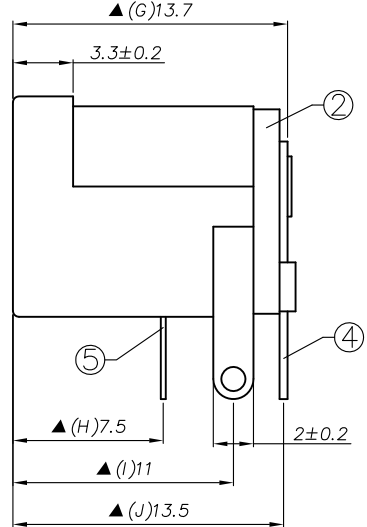
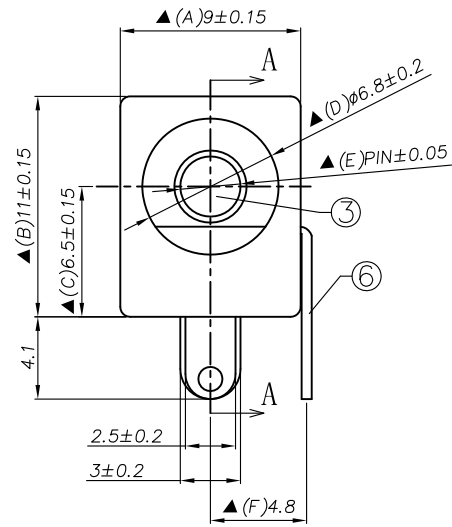


REV. LTR.	DESCRIPTION	SIGN	DATE
△	Add the key sizes of sign.	Li wenhui	09.11.9
△	Customer request 2# spring material beryllium bronze change to phosphor bronze.	Zhangxiuke	2011.07.23
△	增加PBT防火等級	Zhangxiuke	2016.03.18.



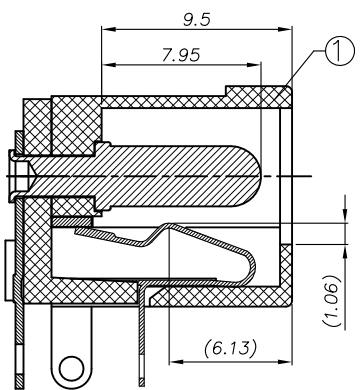
RECOMMENDED P. C. B. LAYOUT
UNSPECIFIED TOLERANCE: ±0.05
(BOTTOM VIEW)

Ordering information:

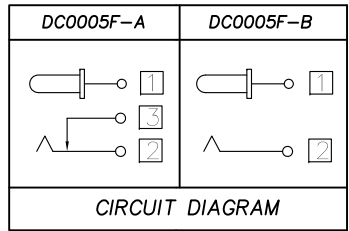
DC0005F- □ □
(1) (2) (3)

- (1): Series No.
- (2): Schematic option:
A, B
- (3): Center pin diameter:
K=∅3.0, L=∅3.2

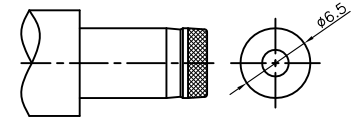
Model No.	DC0005F- _K	DC0005F- _L
PIN	∅3.0	∅3.2



SECTION A-A



□ : TERMINAL NO.



DC MATE PLUG

- Specification:
- Rating : DC 20V 4A.
 - Contact resistance: ≤30mΩ.
After test: ≤50mΩ
 - Insulation resistance: ≥100MΩ (500VDC).
After test: ≥50MΩ
 - Withstanding voltage: 500VAC.
 - Insertion and extraction force: 3N~30N.
 - Life test: 5000 cycles min.
 - Operation temperature range: -20°C~70°C.
 - Preservative temperature range: -40°C~85°C.
 - Sign"▲" is importance dimension.

NO.	DESCRIPTION	QTY	MATERIAL	PART NO.	REMARK
⑥	Shunt terminal	1	Brass t0.5	DC00050-03	Tin plating
⑤	Tip spring	1	Phosphor bronze t0.25▲	DC0005F-02	Tin plating
④	Center pin terminal	1	Brass t0.40	DC00050-01	Tin plating
③	Center pin	1	Copper alloy	DC0005F-99H/K/L	CuSn/Nickel plating
②	Cover	1	PBT UL 94V-0 △	DC0005F-S2	
①	Housing	1	PBT UL 94V-0 △	DC0005F-S1	

UNIT: MM	TYPE:	MODEL NO:	PAPER NO: A4	PAGE 1 OF 1
⊕	DC POWER JACK	DC0005F- _ _	TOLERANCE	ANGLES
			±0.3	±2'
			SCALE	VER
			N/A	3

DESIGNER BY: KJP 2011.8.11
CHECK BY:
APPROVED BY:

丞永實業有限公司
BLUE SOURCES ELECTRONICS CO.,LTD.